

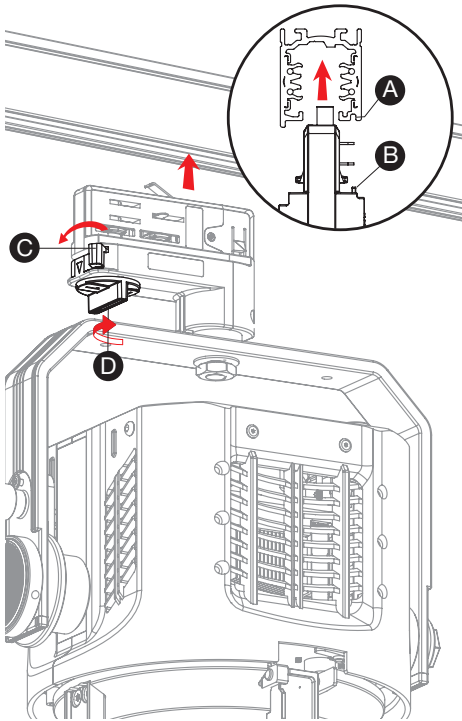
P5-Series User Guide

P5-Series Setup (TOX)

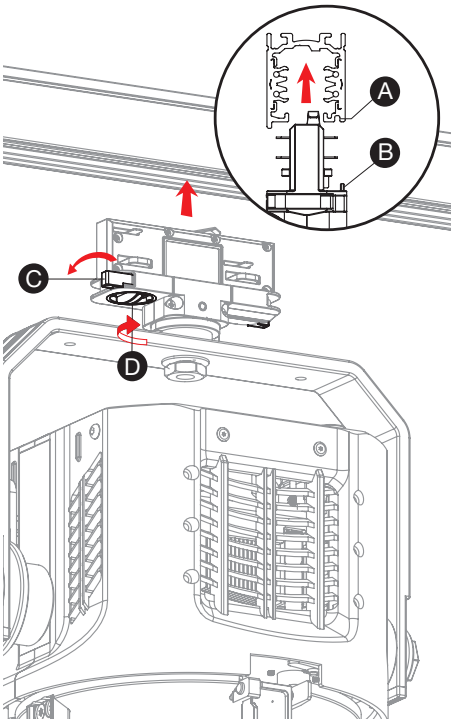
1. Push & Lock Track Adapter into the Track

- Insert the adapter into the track so that the mechanical key (B) in the adapter aligns with the groove (A) in the track. Rotate the locking lever (C) approximately 90 degrees until it reaches the lock position.
- Use knob (D) to select the circuit the fixture will draw power from.

PSP (US) Type

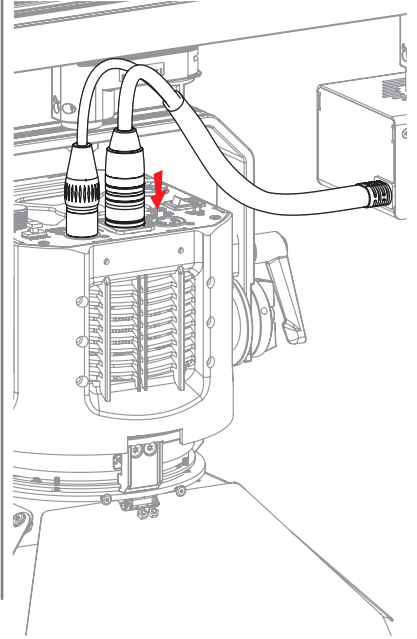


PSP (EU) Type



2. Connect the Power Cord

- Connect the DC power supply cord and the DMX cord to the light fixture.
- Once connected power on the track and turn the intensity (INT) knob on the light fixture to confirm it is operational.
- Adjust the fixture to the desired angle using the tilt lock lever.

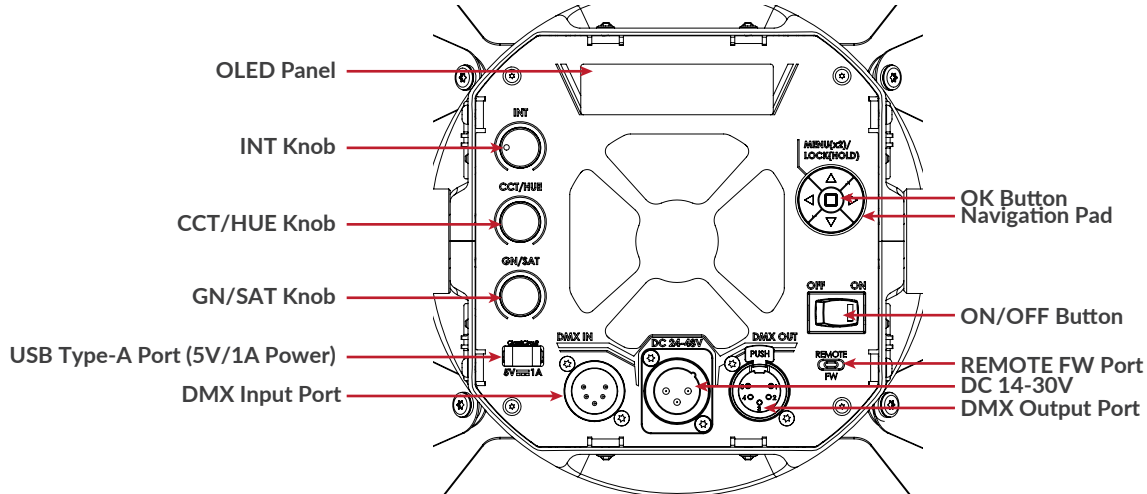


This device complies with Part 15 of the FCC Rules. Operation is subject to the following two conditions:

(1) This device may not cause harmful interference, and (2) this device must accept any interference received, including interference that may cause undesired operation.

P5-Series Control Panel Guide

Control Panel Overview



Intensity Controls

- Use the INT knob to modify brightness in any mode.

OK Button

- Enter edit mode or quick-jump values.

Navigation Pad

- Used to access and adjust parameters.

			
Twist	1x Press	2x Press	1x Press
Adjust fixture output	Quick-jump values	Enter menu/ Return to home screen	Select/Adjust

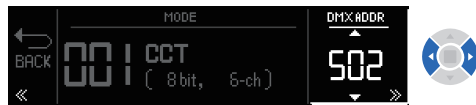
DMX Addressing Instructions

Set DMX Address

- 1) Once the fixture is powered on, select "MENU", then press the OK button once.
- 2) Navigate right until "DMX ADDR." is highlighted.



- 3) Navigate up/down to make adjustments then navigate right to save. Or, double-click the OK button to save and return to upper level.



DMX Signal

When the fixture is not connected to a DMX signal, the screen will display "NO DMX". Once connected, it will display "DMX OK."



Select/Change Mode

- 1) Once the fixture is powered on, navigate right until "MODE" is highlighted.



2) Navigate right to move through other available settings.

3) While "MODE" is on the screen, navigate up/down until the desired mode is selected, then press the OK button to enter.

*A full list of available modes can be found on the webpage.



CCT Mode Operation

1) Intensity "INT" controls the overall fixture output.



2) To adjust the CCT, navigate right until "CCT" is highlighted.

Navigate up/down to make adjustments then navigate right to save. Or, double-click OK button to save and return to upper level.



3) To adjust the green/magenta shift, navigate right until "GN" is highlighted.

Navigate up/down to make adjustments then navigate right to save. Or, double-click OK button to save and return to upper level.



HSI Mode Operation

1) Intensity "INT" controls the overall fixture output.



2) To adjust the HUE, navigate right until "HUE" is highlighted.

Navigate up/down to make adjustments then navigate right to save. Or, double-click the OK button to save and return to upper level.



3) To adjust the saturation, navigate right until "SAT" is highlighted.

Navigate up/down to make adjustments then navigate right to save. Or, double-click the OK button to save and return to upper level.



RGBW Mode Operation

1) Intensity "INT" controls the overall fixture output.



2) To adjust the red value, navigate right until "R" is highlighted.



3) Repeat the process to change the rest of the settings.